

CATCH BASINS



PALLETTE STONE CORP.

Precast Product Division | 373 Washington Street, Saratoga Springs, New York 12866

Phone: (518) 584-5891 | Fax (518) 584-2622 | www.dacollins.com

2'-0" x 2'-0" ID KNOCKOUT CATCH BASIN

NOTES:

CONCRETE: 4000 PSI

REINFORCEMENT: ASTM A185 GR 65

ENTRAINED AIR: 5.0% - 9.0%

AASHTO H-20 LL

KNOCKOUT WALLS STANDARD
SOLID WALL ALSO AVAILABLE

THICKNESSES:

BASE SLAB - 6"

WALLS - 6"

ROOF SLAB - 6"

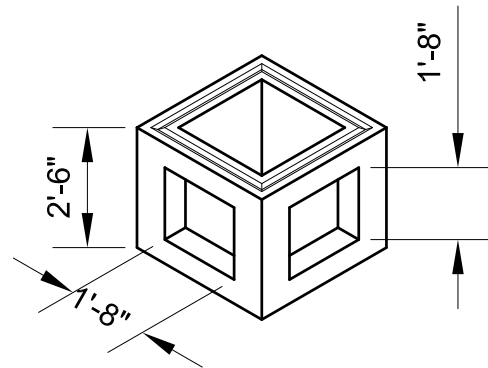
WEIGHTS:

2' HIGH - 1625 LB (W/ KNOCKOUT)

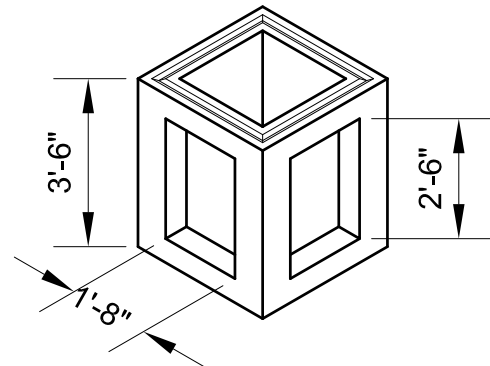
3' HIGH - 2100 LB (W/ KNOCKOUT)

4' HIGH - 2850 LB (W/ KNOCKOUT)

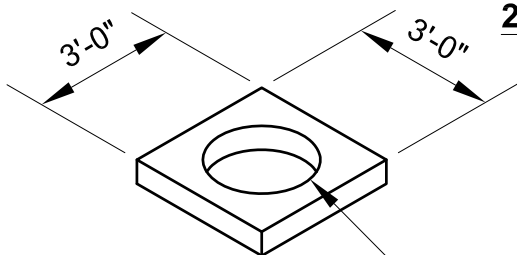
TOP (NO HOLE) - 675 LB



2'-0" x 2'-0" x 2'-0" ID KNOCKOUT CATCH BASIN



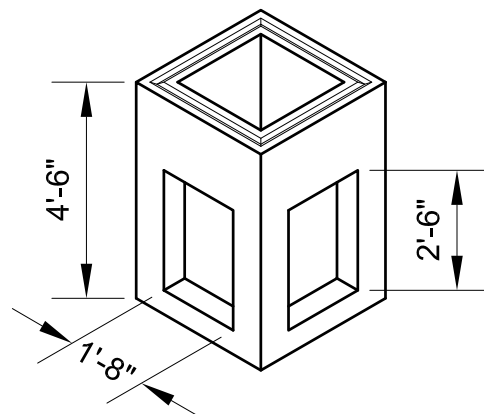
2'-0" x 2'-0" x 3'-0" ID KNOCKOUT CATCH BASIN



VARIOUS OPENING
SIZES AVAILABLE
UPON REQUEST

3'-0" x 3'-0" OD FLAT TOP

GRADE ADJUSTMENT RISERS
AVAILABLE UPON REQUEST



2'-0" x 2'-0" x 4'-0" ID KNOCKOUT CATCH BASIN

PALLETTE STONE CORP.

Precast Product Division | 373 Washington Street, Saratoga Springs, New York 12866

Phone: (518) 584-5891 | Fax (518) 584-2622 | www.dacollins.com

2'-6" x 2'-6" ID KNOCKOUT CATCH BASIN

NOTES:

CONCRETE: 4000 PSI

REINFORCEMENT: ASTM A185 GR 65

ENTRAINED AIR: 5.0% - 9.0%

AASHTO H-20 LL

KNOCKOUT WALLS STANDARD
SOLID WALL ALSO AVAILABLE

THICKNESSES:

BASE SLAB - 6"

WALLS - 6"

ROOF SLAB - 6"

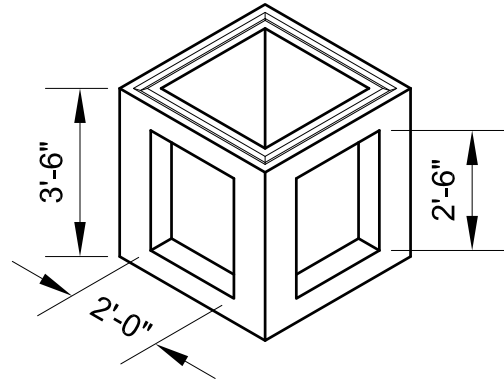
WEIGHTS:

3' HIGH - 2620 LB (W/ KNOCKOUT)

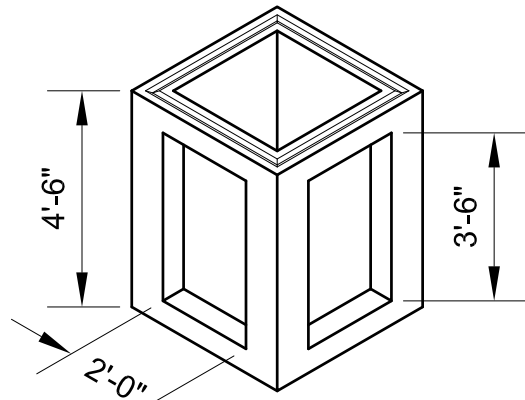
4' HIGH - 3120 LB (W/ KNOCKOUT)

5' HIGH - 4020 LB (W/ KNOCKOUT)

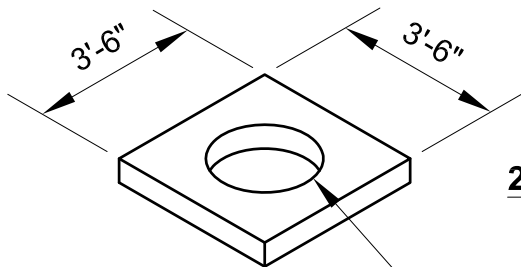
TOP (NO HOLE) - 920 LB



2'-6" x 2'-6" x 3'-0" ID KNOCKOUT CATCH BASIN



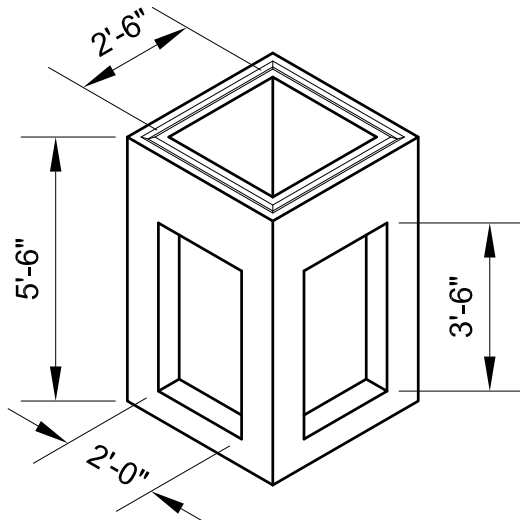
2'-6" x 2'-6" x 4'-0" ID KNOCKOUT CATCH BASIN



VARIOUS OPENING
SIZES AVAILABLE
UPON REQUEST

3'-6" x 3'-6" OD FLAT TOP

GRADE ADJUSTMENT RISERS
AVAILABLE UPON REQUEST



2'-6" x 2'-6" x 5'-0" ID KNOCKOUT CATCH BASIN

PALLETTE STONE CORP.

Precast Product Division | 373 Washington Street, Saratoga Springs, New York 12866

Phone: (518) 584-5891 | Fax (518) 584-2622 | www.dacollins.com

2'-6" x 4'-0" ID KNOCKOUT CATCH BASIN

NOTES:

CONCRETE: 4000 PSI

REINFORCEMENT: ASTM A185 GR 65

ENTRAINED AIR: 5.0% - 9.0%

AASHTO H-20 LL

KNOCKOUT WALLS STANDARD
SOLID WALL ALSO AVAILABLE

THICKNESSES:

BASE SLAB - 6"

WALLS - 6"

ROOF SLAB - 6"

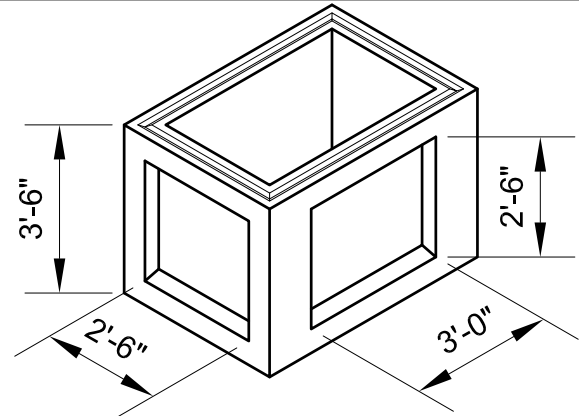
WEIGHTS:

3' HIGH - 3320 LB (W/ KNOCKOUT)

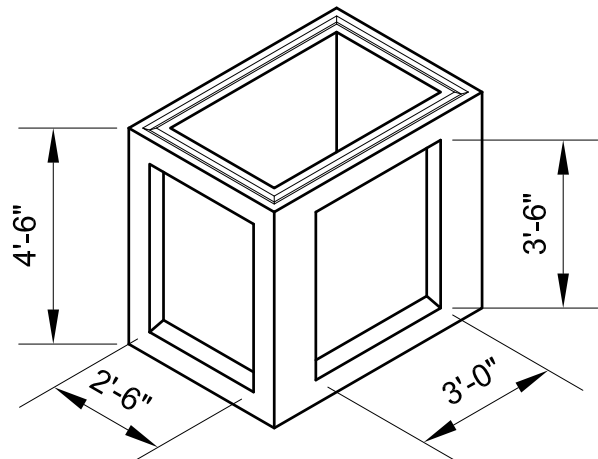
4' HIGH - 3888 LB (W/ KNOCKOUT)

5' HIGH - 5013 LB (W/ KNOCKOUT)

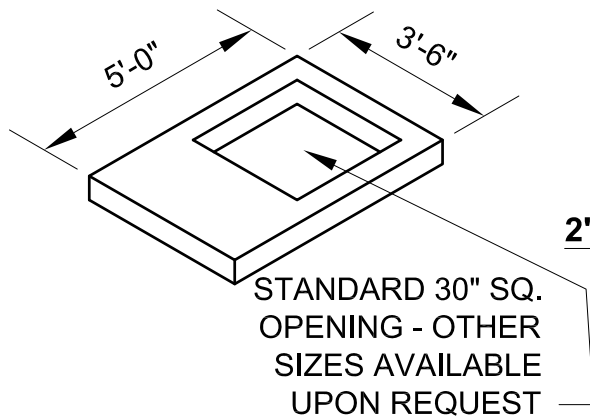
TOP (NO HOLE) - 1320 LB



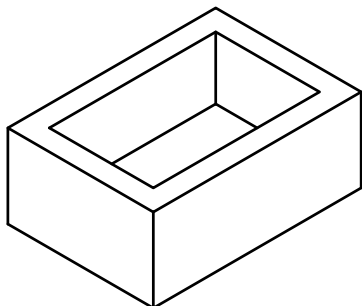
2'-6" x 4'-0" x 3'-0" ID KNOCKOUT CATCH BASIN



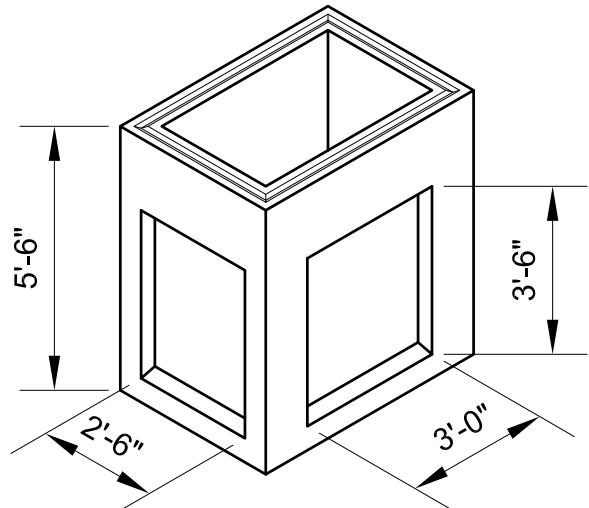
2'-6" x 4'-0" x 4'-0" ID KNOCKOUT CATCH BASIN



3'-6" x 5'-0" OD FLAT TOP



2'-6" x 4'-0" ID RISER (SOLID WALL)
AVAILABLE IN 1' HEIGHT INCREMENTS



2'-6" x 4'-0" x 5'-0" ID KNOCKOUT CATCH BASIN

PALLETTE STONE CORP.

Precast Product Division | 373 Washington Street, Saratoga Springs, New York 12866

Phone: (518) 584-5891 | Fax (518) 584-2622 | www.dacollins.com

4'-0" x 4'-0" ID CATCH BASIN

NOTES:

CONCRETE: 4000 PSI

REINFORCEMENT: ASTM A185 GR 65

REINFORCEMENT: ASTM A615 GR 60

ENTRAINED AIR: 5.0% - 9.0%

AASHTO H-20 LL

THICKNESSES:

BASE SLAB - 6"

WALLS - 6"

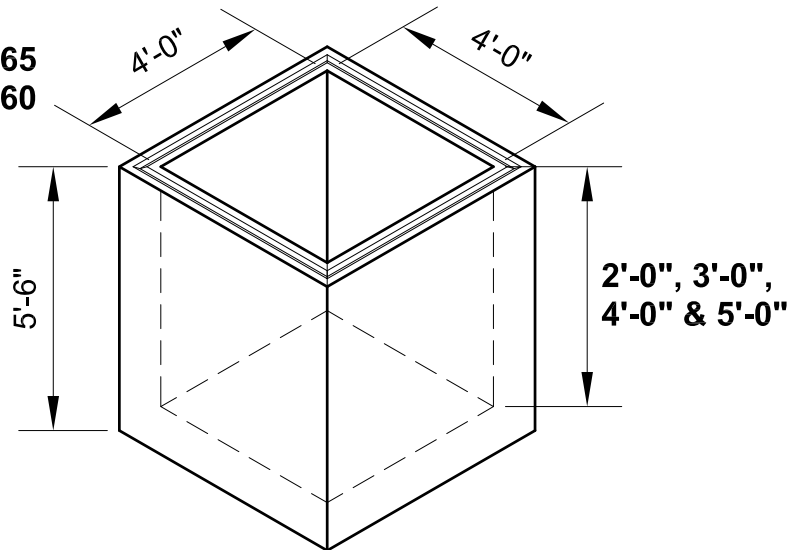
ROOF SLAB - 8"

WEIGHTS:

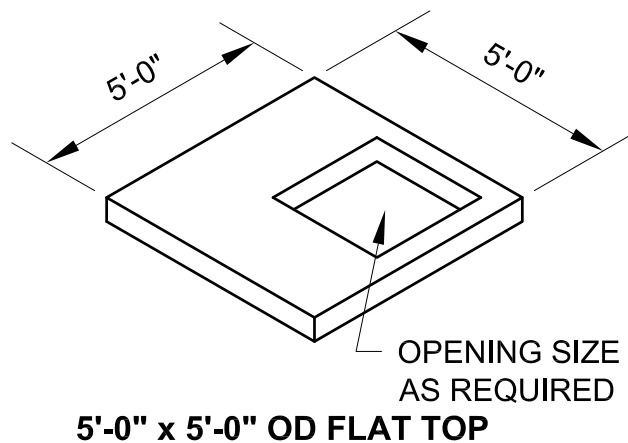
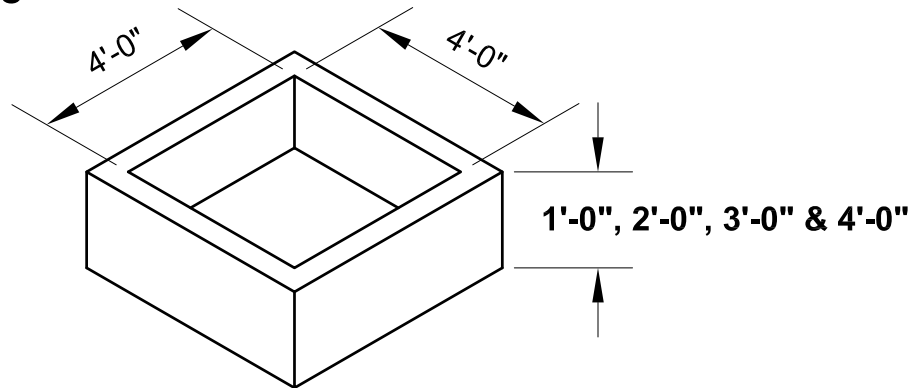
BASE SLAB - 1875LBS

WALLS PER FT - 1350LBS

FLAT TOP - 2200LBS



AVAILABLE WITH P.P. STEPS



PALLETTE STONE CORP.

Precast Product Division | 373 Washington Street, Saratoga Springs, New York 12866

Phone: (518) 584-5891 | Fax (518) 584-2622 | www.dacollins.com

GRADE EXTENSION RISERS

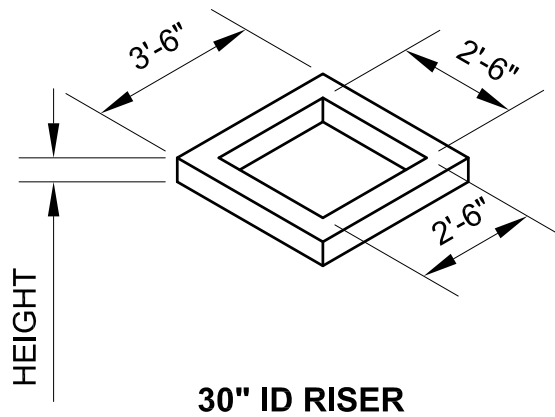
NOTES:

CONCRETE: 4000 PSI

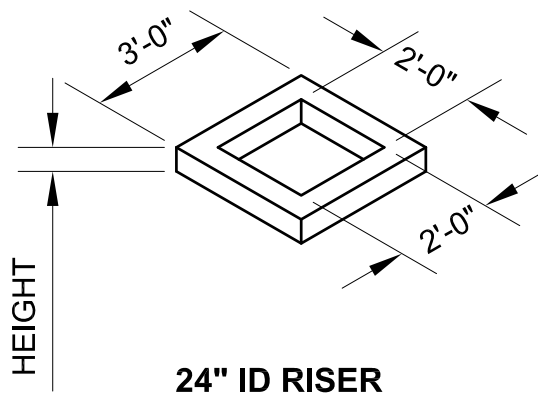
REINFORCEMENT: ASTM A615 GR 60

ENTRAINED AIR: 5.0% - 9.0%

AASHTO H-20 LL



30" ID RISER	
HEIGHT	WEIGHT
2"	150LBS
4"	300LBS
6"	450LBS
12"	900LBS



24" ID RISER	
HEIGHT	WEIGHT
2"	125LBS
4"	250LBS