

SEPTIC



PALLETTE STONE CORP.

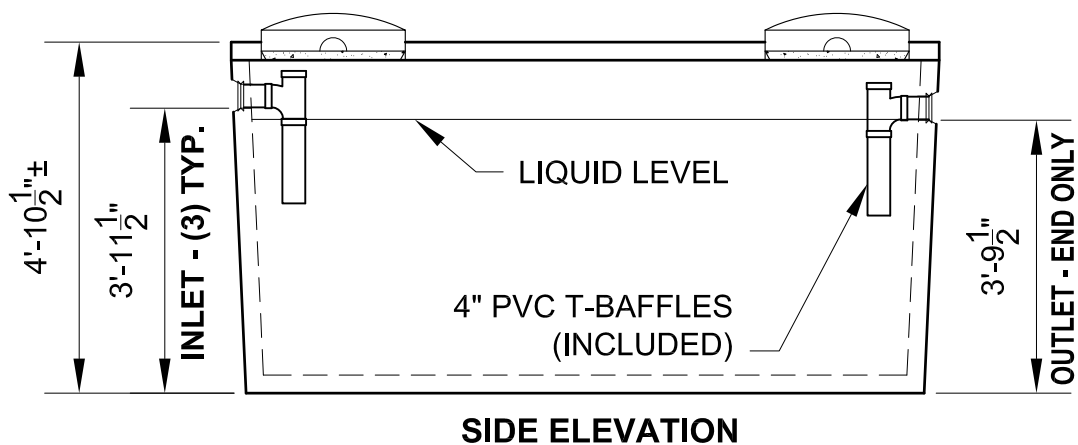
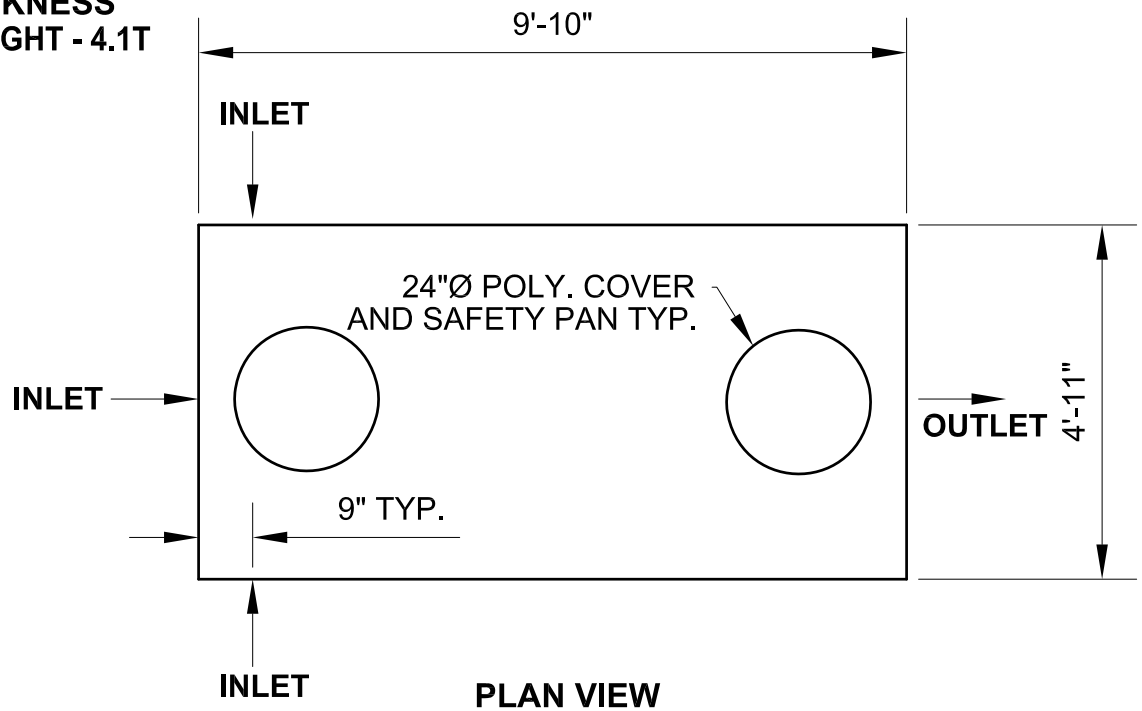
Precast Product Division | 373 Washington Street, Saratoga Springs, New York 12866

Phone: (518) 584-5891 | Fax (518) 584-2622 | www.dacollins.com

1000 GALLON SEPTIC TANK

CONCRETE: 4000 PSI
BAR REIN.: ASTM A615 GR60
MESH REIN.: ASTM A185 GR65
NON-TRAFFIC LOADING
2' MAX EARTH COVER
4" ROOF THICKNESS
3" WALL THICKNESS
3" FLOOR THICKNESS
ASSEMBLED WEIGHT - 4.1T

PLASTIC KNOCKOUT PIPE SEALS
TYPICAL AT INLETS AND OUTLET



PALLETTE STONE CORP.

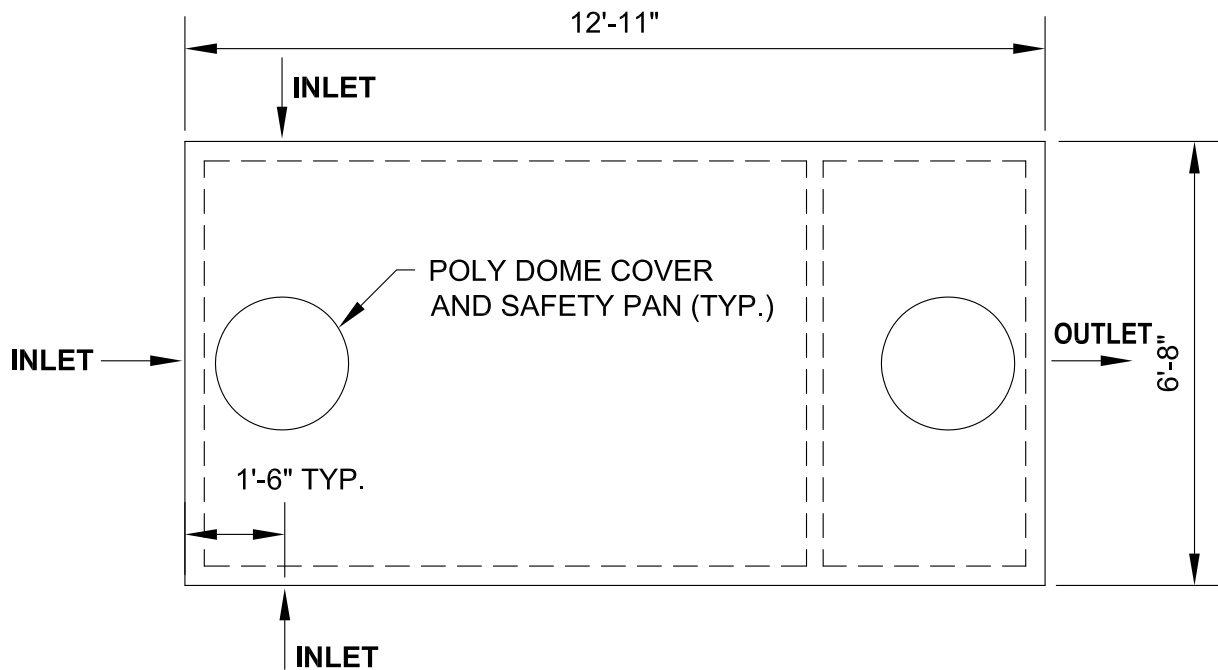
Precast Product Division | 373 Washington Street, Saratoga Springs, New York 12866

Phone: (518) 584-5891 | Fax (518) 584-2622 | www.dacollins.com

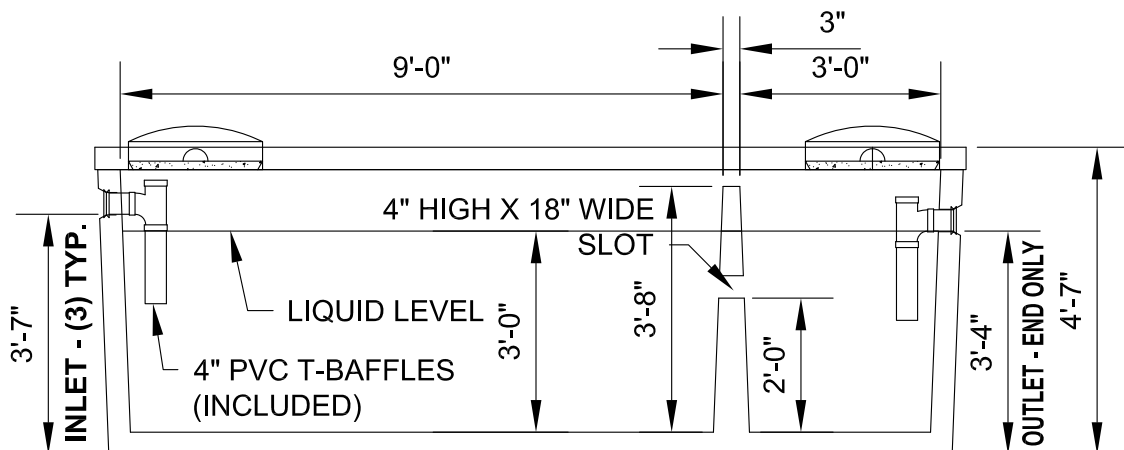
1250/1500 GALLON COMBO SEPTIC TANK

CONCRETE: 4000 PSI
BAR REIN.: ASTM A615 GR60
MESH REIN.: ASTM A185 GR65
ALSO AVAILABLE WITHOUT BAFFLE
BASE WEIGHT - 5.7T
TOP WEIGHT - 2.1T

PLASTIC KNOCKOUT PIPE SEALS
TYPICAL AT INLETS AND OUTLET
NON-TRAFFIC LOADING
2' MAX EARTH COVER
4" ROOF THICKNESS
4" WALL THICKNESS
4" FLOOR THICKNESS



PLAN VIEW



SIDE ELEVATION

PALLETTE STONE CORP.

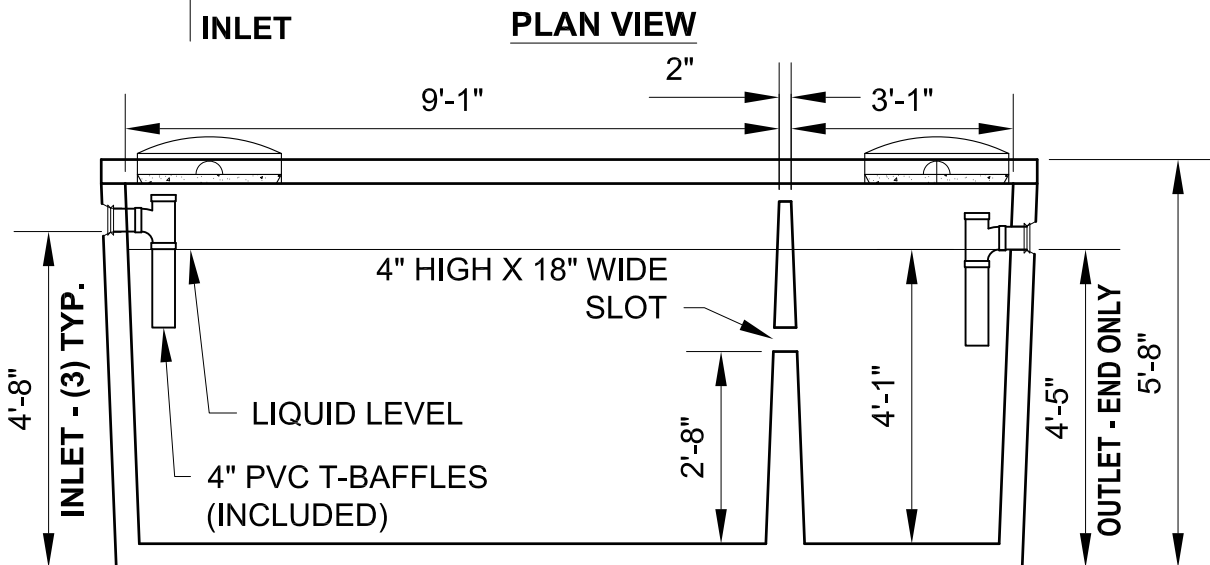
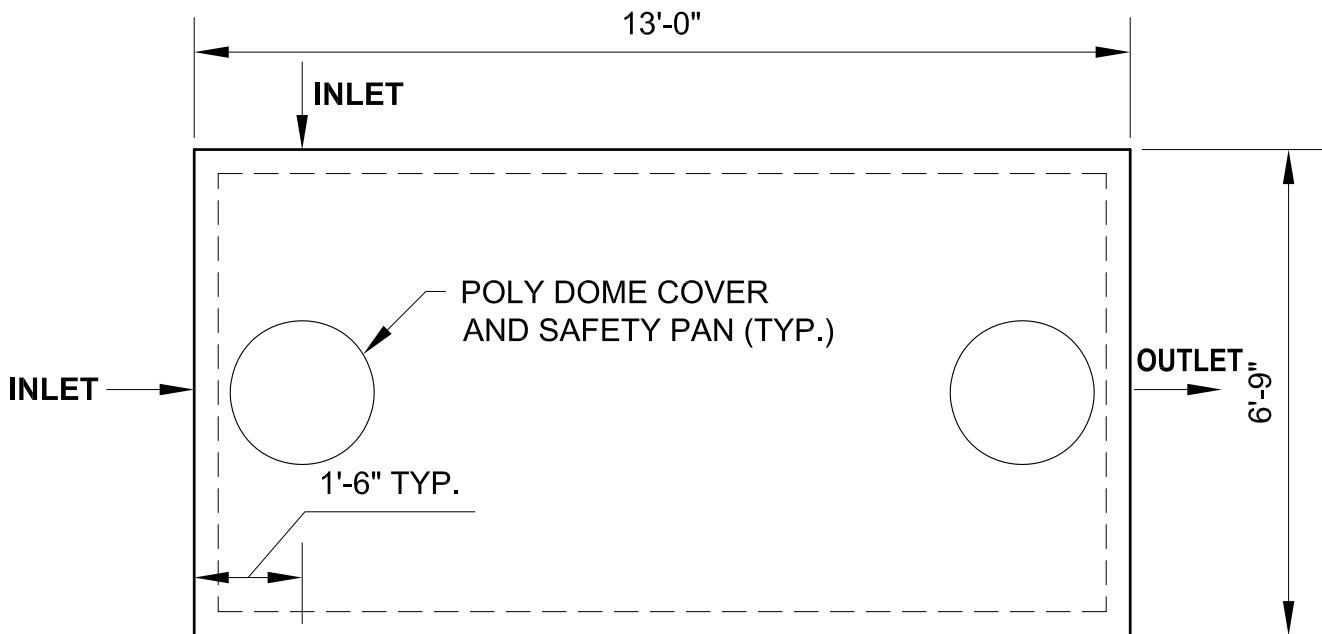
Precast Product Division | 373 Washington Street, Saratoga Springs, New York 12866

Phone: (518) 584-5891 | Fax (518) 584-2622 | www.dacollins.com

2000 GALLON SEPTIC TANK

CONCRETE: 4000 PSI
BAR REIN.: ASTM A615 GR60
MESH REIN.: ASTM A185 GR65
ALSO AVAILABLE WITHOUT BAFFLE
BASE WEIGHT - 7.1T
TOP WEIGHT - 2.8T

PLASTIC KNOCKOUT PIPE SEALS
TYPICAL AT INLETS AND OUTLET
NON-TRAFFIC LOADING
2' MAX EARTH COVER
4" ROOF THICKNESS
4" WALL THICKNESS
4" FLOOR THICKNESS



SIDE ELEVATION

PALLETTE STONE CORP.

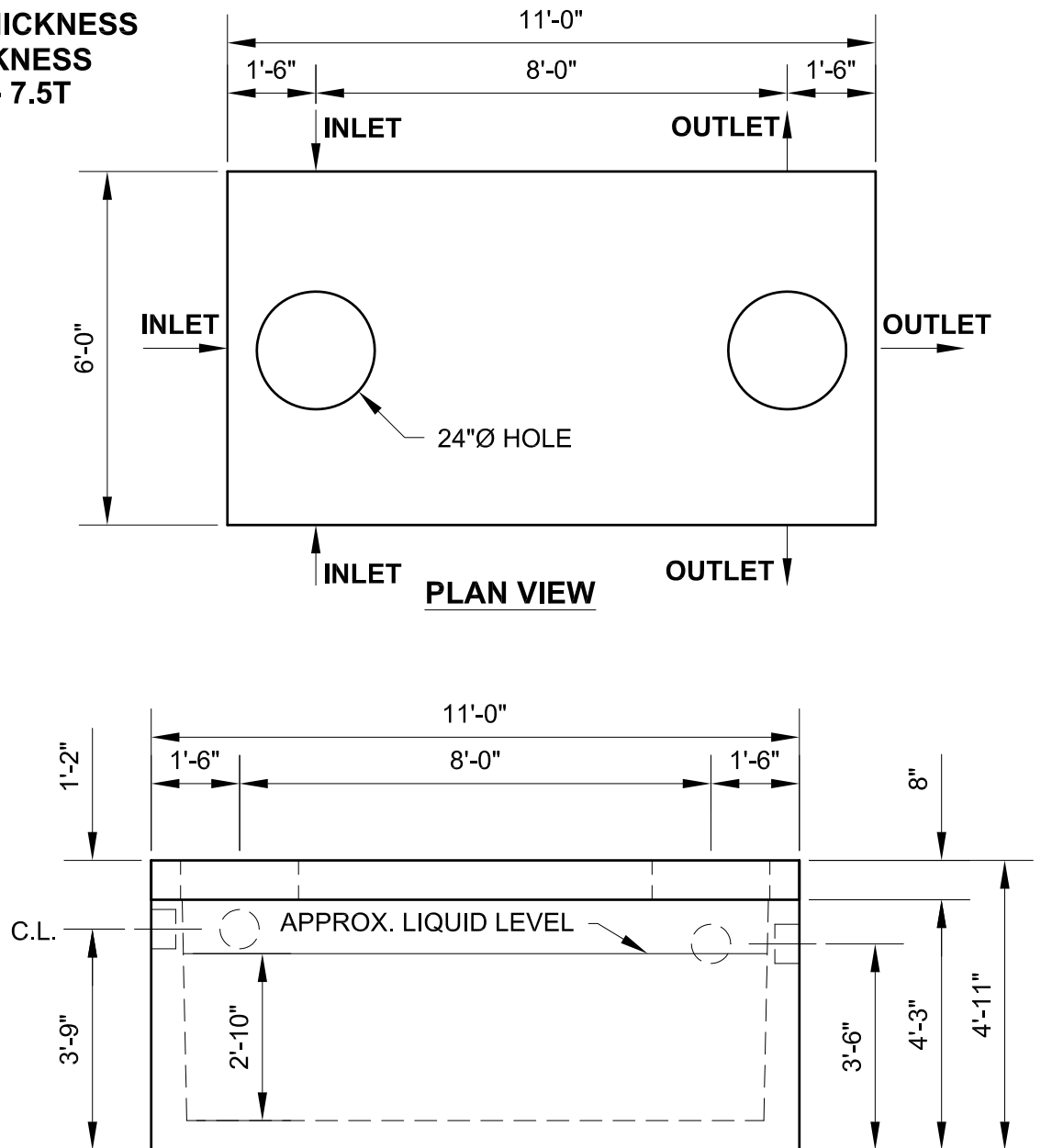
Precast Product Division | 373 Washington Street, Saratoga Springs, New York 12866

Phone: (518) 584-5891 | Fax (518) 584-2622 | www.dacollins.com

1000 GALLON HEAVY DUTY TANK

CONCRETE: 4000 PSI
BAR REIN.: ASTM A615 GR60
AASHTO HS20 LL
4' MAX EARTH COVER
WATER TABLE BELOW STRUCTURE
8" ROOF THICKNESS
6" MIN WALL THICKNESS
6" FLOOR THICKNESS
BASE SECTION - 7.5T
FLAT TOP - 3.5T

8" DIA. RECESSED KNOCKOUT PROVIDED,
2" - 6" KOR-N-SEAL BOOTS AVAILABLE
UPON REQUEST. CUSTOMER TO KNOCKOUT
OPENING AND INSTALL BOOT OR MORTAR
PIPE.



SIDE ELEVATION

NOTE: CUSTOMER TO PROVIDE AND INSTALL PIPE BAFFLE FOR PIPES > 4"

PALLETTE STONE CORP.

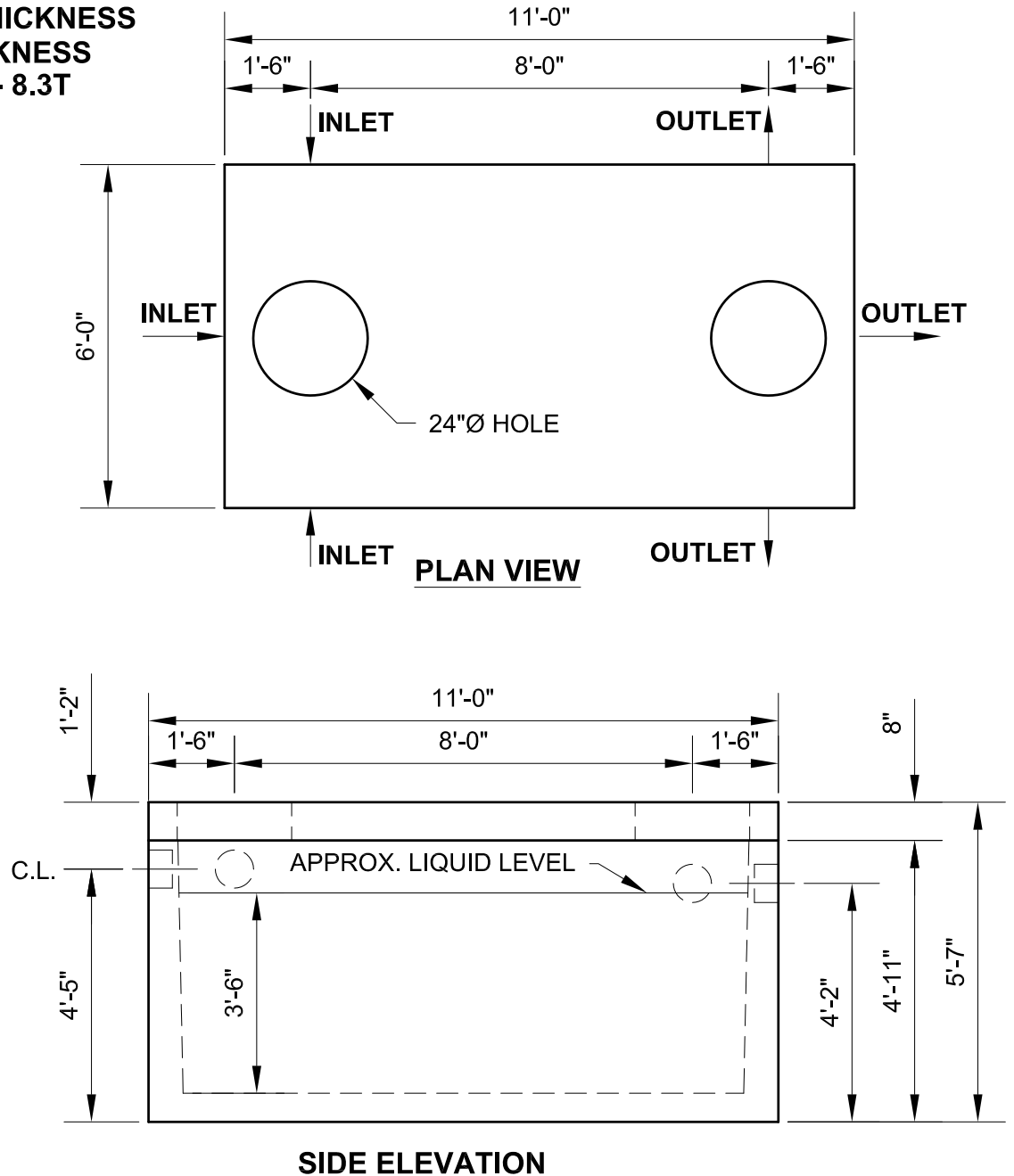
Precast Product Division | 373 Washington Street, Saratoga Springs, New York 12866

Phone: (518) 584-5891 | Fax (518) 584-2622 | www.dacollins.com

1250 GALLON HEAVY DUTY TANK

CONCRETE: 4000 PSI
BAR REIN.: ASTM A615 GR60
AASHTO HS20 LL
4' MAX EARTH COVER
WATER TABLE BELOW STRUCTURE
8" ROOF THICKNESS
6" MIN WALL THICKNESS
6" FLOOR THICKNESS
BASE SECTION - 8.3T
FLAT TOP - 3.5T

8" DIA. RECESSED KNOCKOUT PROVIDED,
2" - 6" KOR-N-SEAL BOOTS AVAILABLE
UPON REQUEST. CUSTOMER TO KNOCKOUT
OPENING AND INSTALL BOOT OR MORTAR
PIPE.



NOTE: CUSTOMER TO PROVIDE AND INSTALL PIPE BAFFLE FOR PIPES > 4"

PALLETTE STONE CORP.

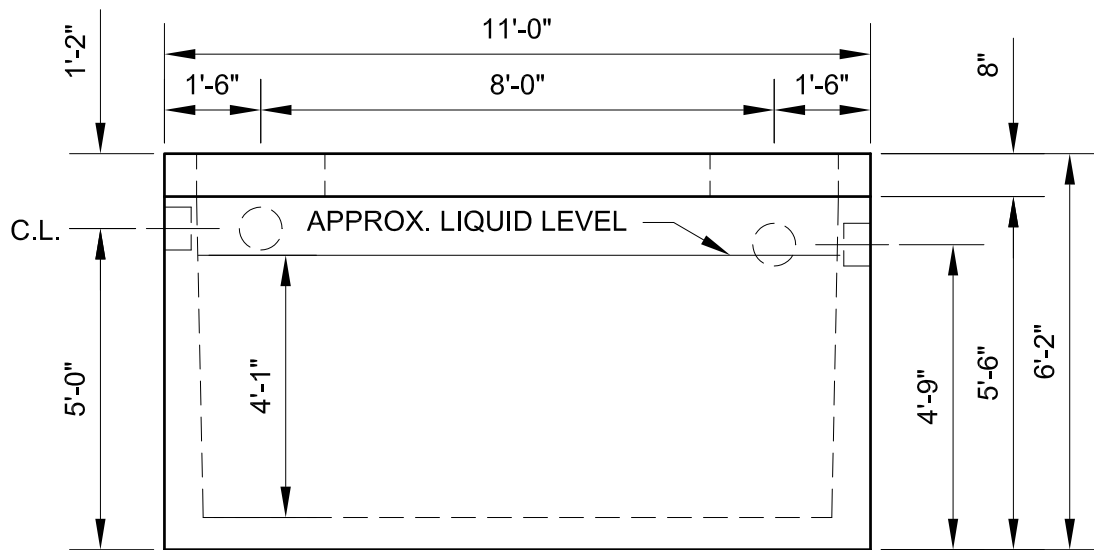
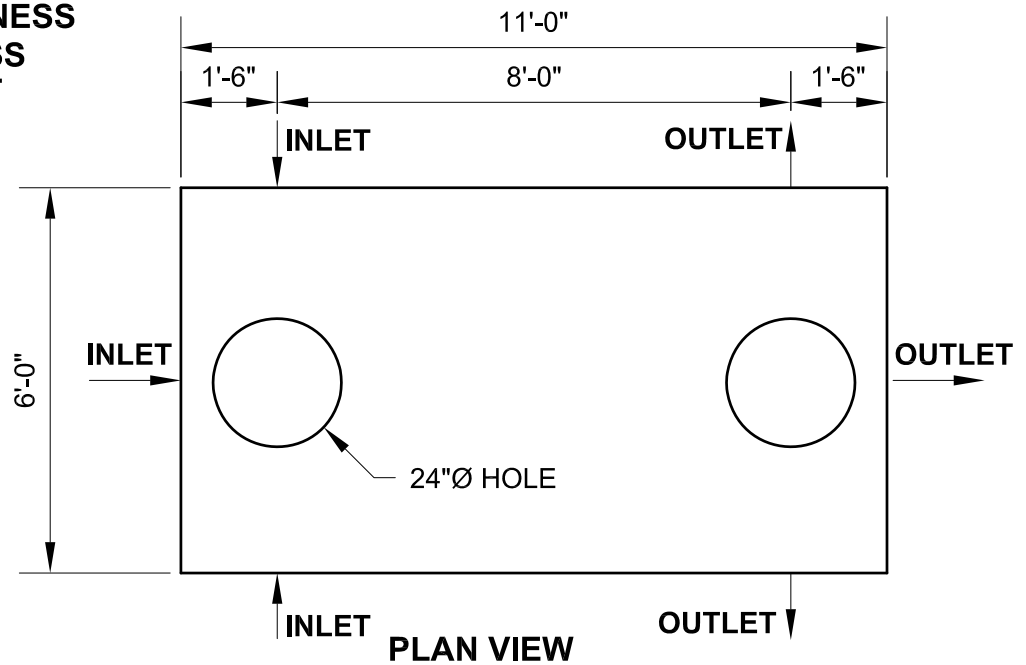
Precast Product Division | 373 Washington Street, Saratoga Springs, New York 12866

Phone: (518) 584-5891 | Fax (518) 584-2622 | www.dacollins.com

1500 GALLON HEAVY DUTY TANK

CONCRETE: 4000 PSI
BAR REIN.: ASTM A615 GR60
AASHTO HS20 LL
4' MAX EARTH COVER
WATER TABLE BELOW STRUCTURE
8" ROOF THICKNESS
6" MIN WALL THICKNESS
6" FLOOR THICKNESS
BASE SECTION - 9.0T
FLAT TOP - 3.5T

8" DIA. RECESSED KNOCKOUT PROVIDED,
2" - 6" KOR-N-SEAL BOOTS AVAILABLE
UPON REQUEST. CUSTOMER TO KNOCKOUT
OPENING AND INSTALL BOOT OR MORTAR
PIPE.



SIDE ELEVATION

NOTE: CUSTOMER TO PROVIDE AND INSTALL PIPE BAFFLES FOR PIPES > 4"

PALLETTE STONE CORP.

Precast Product Division | 373 Washington Street, Saratoga Springs, New York 12866

Phone: (518) 584-5891 | Fax (518) 584-2622 | www.dacollins.com

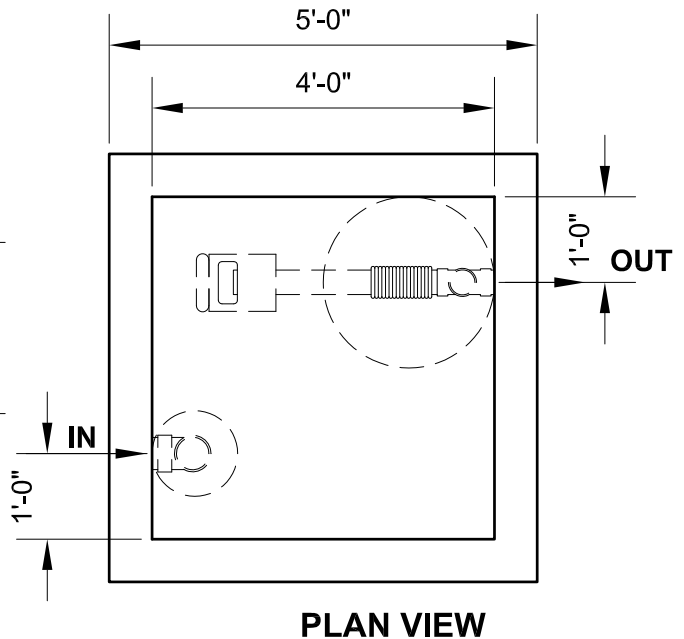
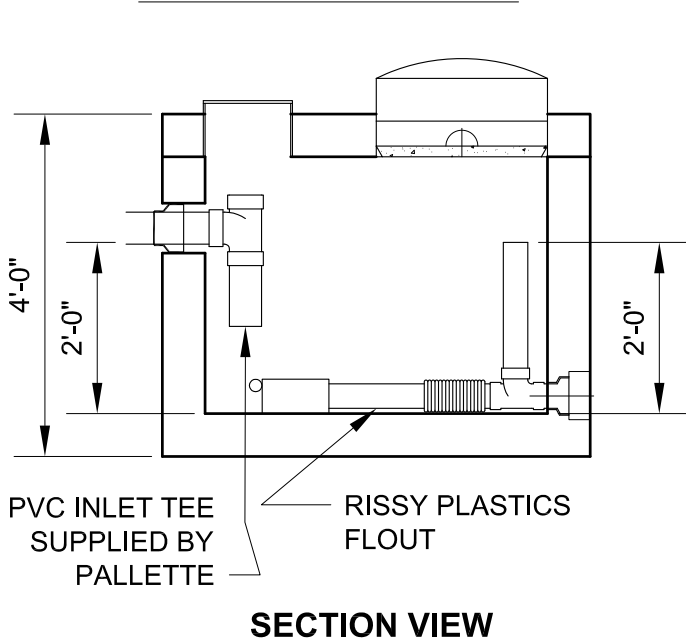
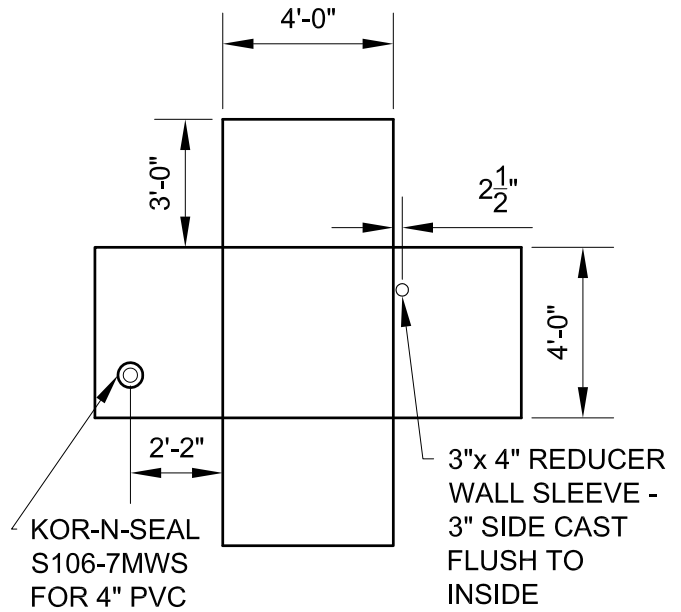
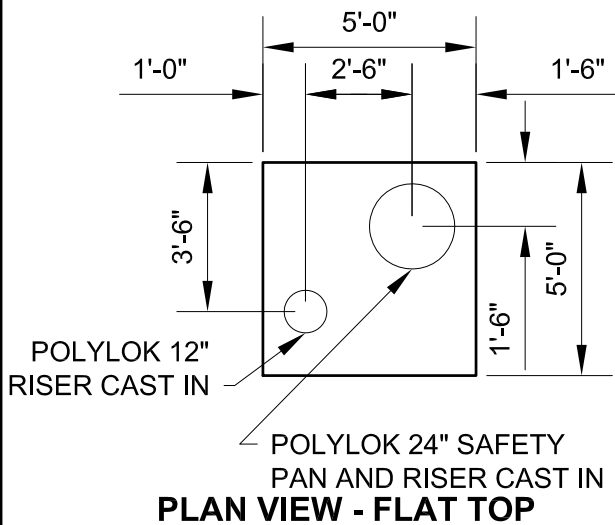
FLOUT DOSING TANK

CONCRETE: 4000 PSI
BAR REIN.: ASTM A615 GR60
MESH REIN.: ASTM A185 GR65
NON-TRAFFIC LOADING STANDARD,
HS20 AVAILABLE UPON REQUEST

FLOUT LENGTH VARIES TO PROVIDE CORRECT DOSE
TANK VOLUME 10 GAL +/- PER INCH DEPTH
FLOUT LENGTH = REQUIRED DOSE / 10 GAL PER INCH

6" ROOF THICKNESS
6" WALL THICKNESS
6" FLOOR THICKNESS

BASE WEIGHT - 3.0T
TOP WEIGHT - 1.2T



PALLETTE STONE CORP.

Precast Product Division | 373 Washington Street, Saratoga Springs, New York 12866

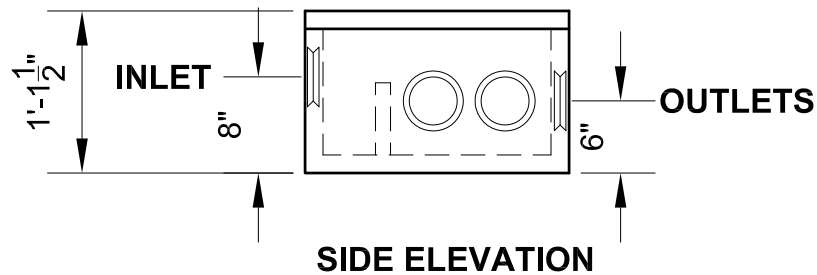
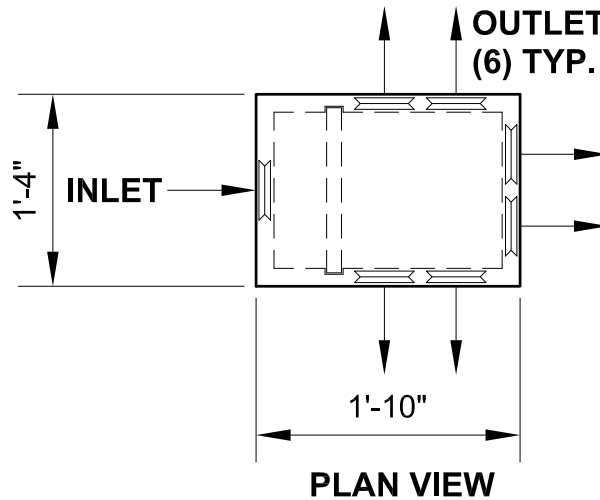
Phone: (518) 584-5891 | Fax (518) 584-2622 | www.dacollins.com

6 HOLE DISTRIBUTION BOX

CONCRETE: 4000 PSI
MESH REIN.: ASTM A185 GR65
NON-TRAFFIC LOADING
2' MAX EARTH COVER
1 1/2" ROOF THICKNESS
1 1/2" WALL THICKNESS
1 1/2" FLOOR THICKNESS
BOTTOM SECTION - ± 100 LBS
TOP SECTION - 35LBS

PLASTIC KNOCKOUT PIPE SEALS
TYPICAL AT INLET AND OUTLETS

(6) SPEED LEVELERS INCLUDED



PALLETTE STONE CORP.

Precast Product Division | 373 Washington Street, Saratoga Springs, New York 12866

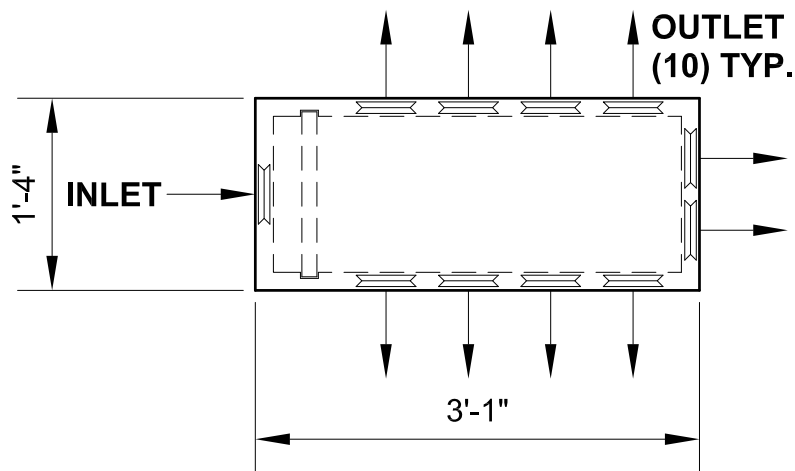
Phone: (518) 584-5891 | Fax (518) 584-2622 | www.dacollins.com

10 HOLE DISTRIBUTION BOX

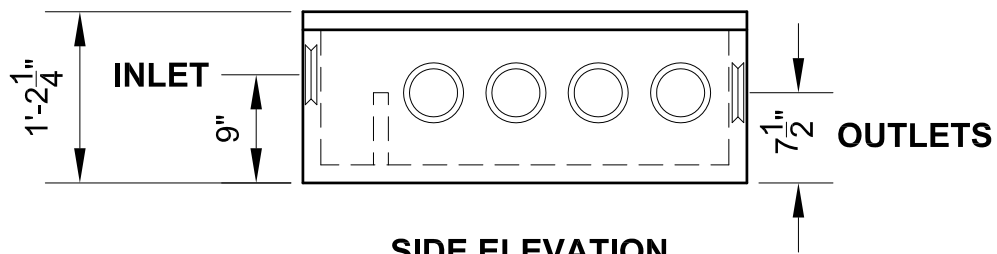
CONCRETE: 4000 PSI
MESH REIN.: ASTM A185 GR65
NON-TRAFFIC LOADING
2' MAX EARTH COVER
1 1/2" ROOF THICKNESS
1 1/2" WALL THICKNESS
1 1/2" FLOOR THICKNESS
BOTTOM SECTION - ± 260 LBS
TOP SECTION - 80LBS

PLASTIC KNOCKOUT PIPE SEALS
TYPICAL AT INLET AND OUTLETS

(10) SPEED LEVELERS INCLUDED



PLAN VIEW



SIDE ELEVATION