

BLOCKS

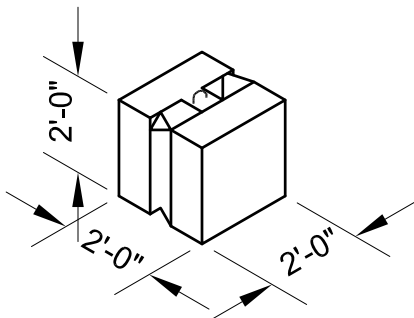


PALLETTE STONE CORP.

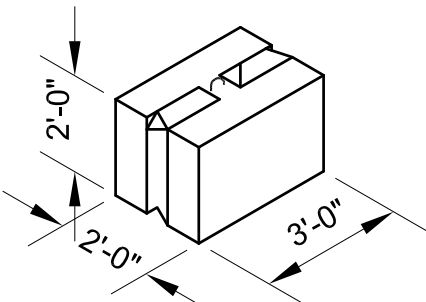
Precast Product Division | 373 Washington Street, Saratoga Springs, New York 12866

Phone: (518) 584-5891 | Fax (518) 584-2622 | www.dacollins.com

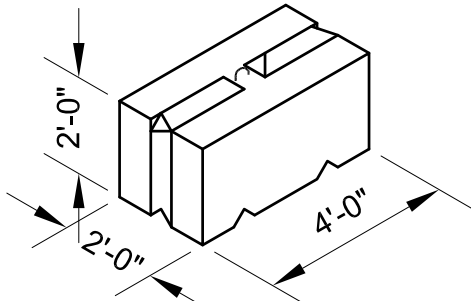
VERSATILE WALL BLOCKS



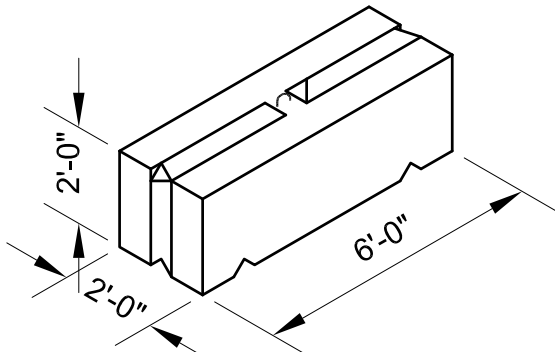
2FT BLOCK - 1,200 LBS



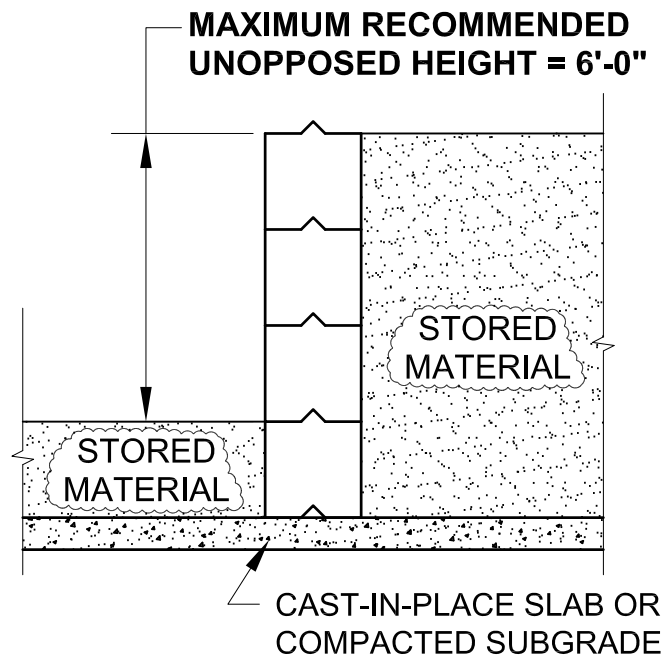
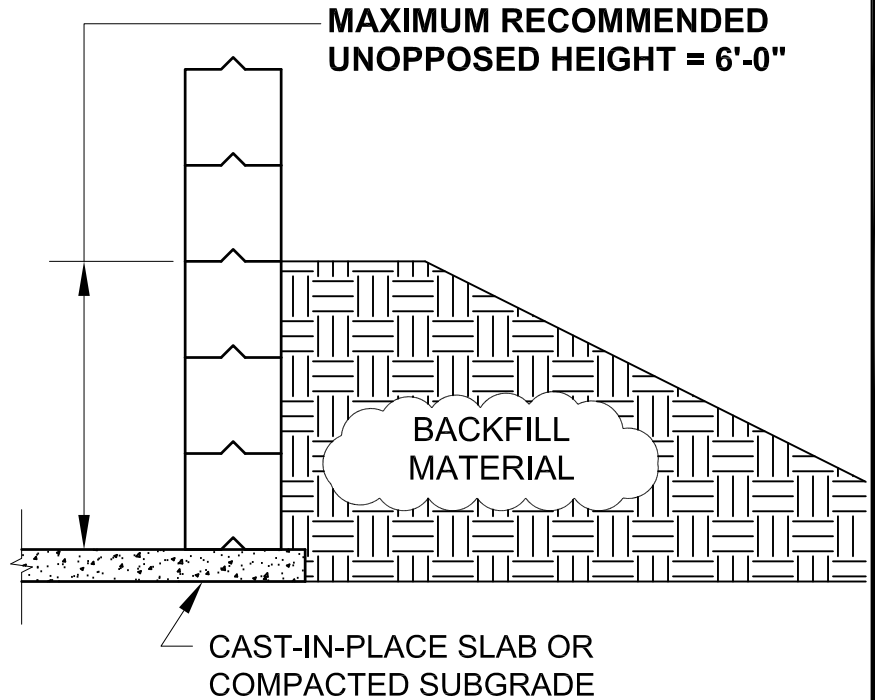
3FT BLOCK - 1,800 LBS



4FT BLOCK - 2,400 LBS



6FT BLOCK - 3,600 LBS



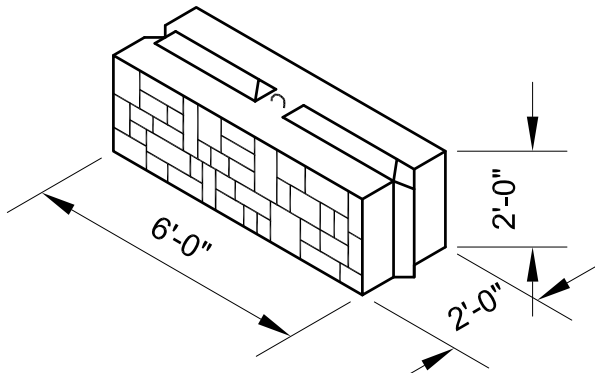
NOTE: PALLETTE STONE CORP. IS NOT RESPONSIBLE FOR SITE CONDITIONS AS THEY RELATE TO THESE PRODUCTS. IT IS THE CUSTOMER'S RESPONSIBILITY TO INSURE PROPER BEARING AND ADEQUATE DRAINAGE AND BACKFILL MATERIAL.

PALLETTE STONE CORP.

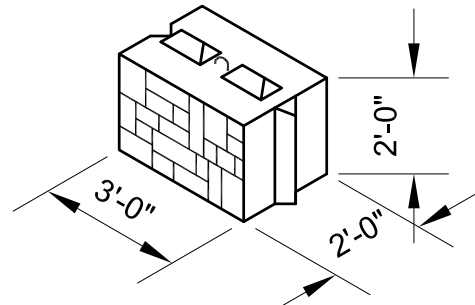
Precast Product Division | 373 Washington Street, Saratoga Springs, New York 12866

Phone: (518) 584-5891 | Fax (518) 584-2622 | www.dacollins.com

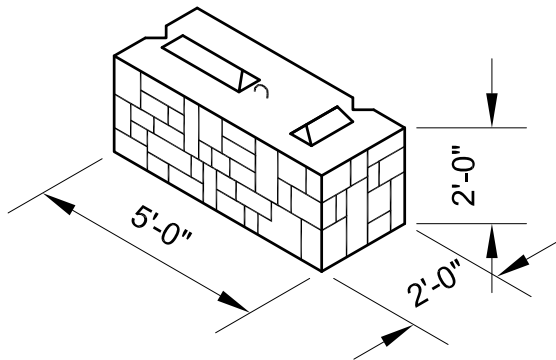
RANDOM STACK VERSATILE WALL BLOCKS



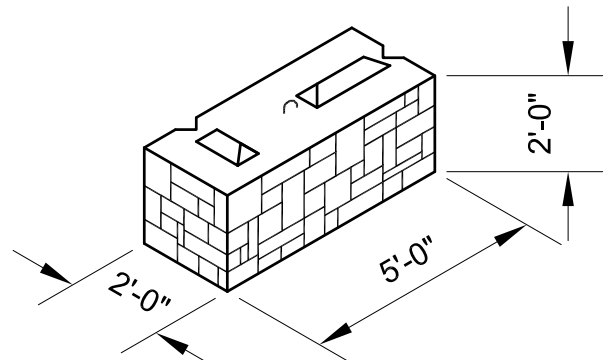
LB226RS



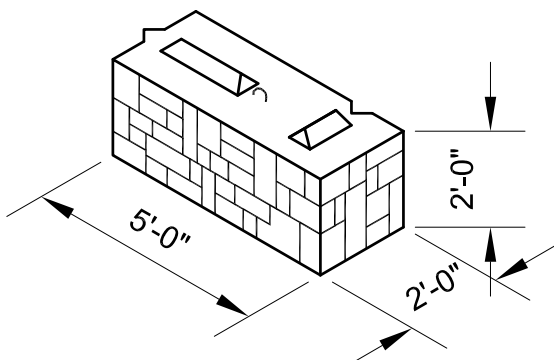
LB223RS



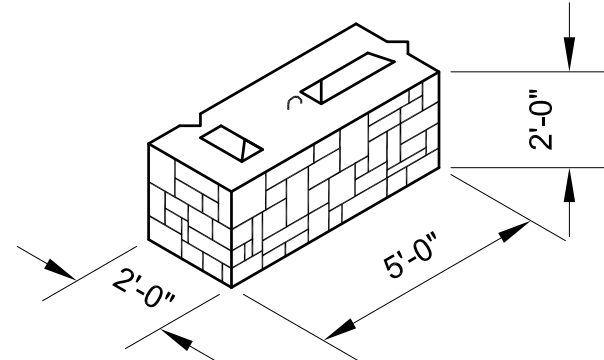
LB225RF



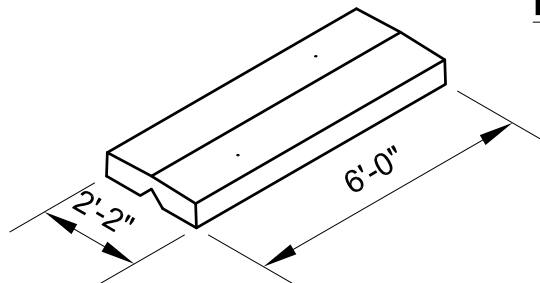
LB225LF



LB225RM



LB225LM



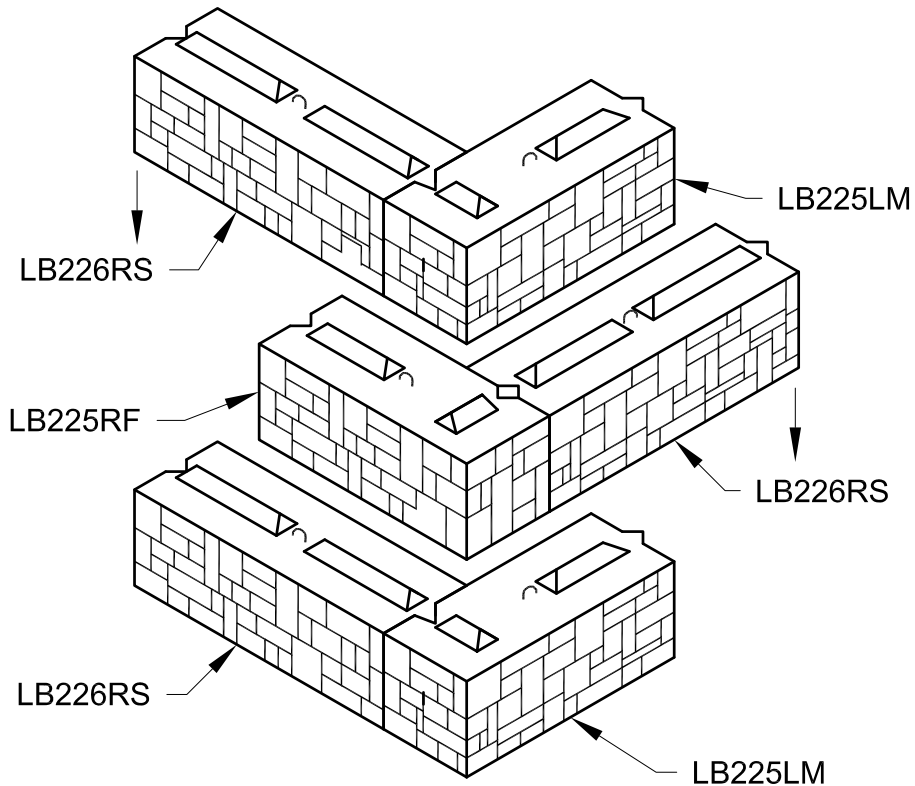
LBCAP

PALLETTE STONE CORP.

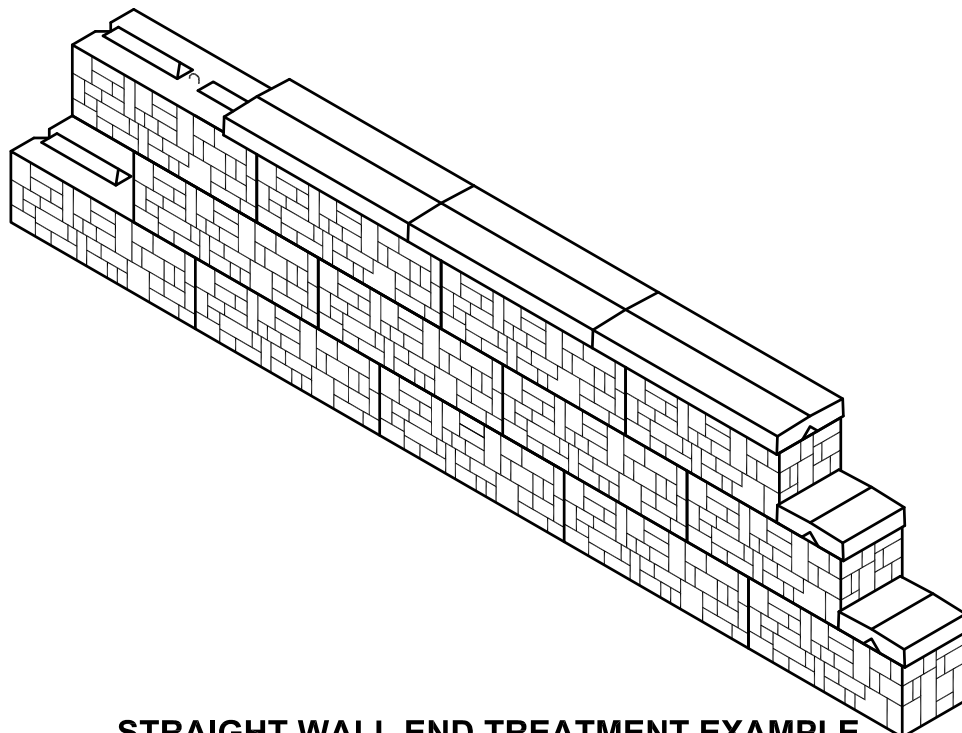
Precast Product Division | 373 Washington Street, Saratoga Springs, New York 12866

Phone: (518) 584-5891 | Fax (518) 584-2622 | www.dacollins.com

RANDOM STACK VERSATILE WALL BLOCKS



CORNER EXAMPLE



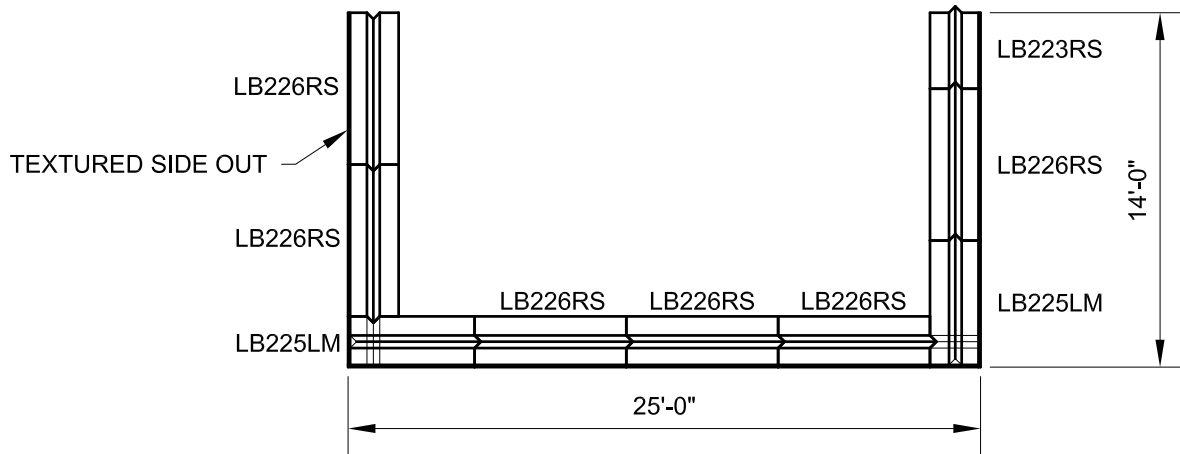
STRAIGHT WALL END TREATMENT EXAMPLE

PALLETTE STONE CORP.

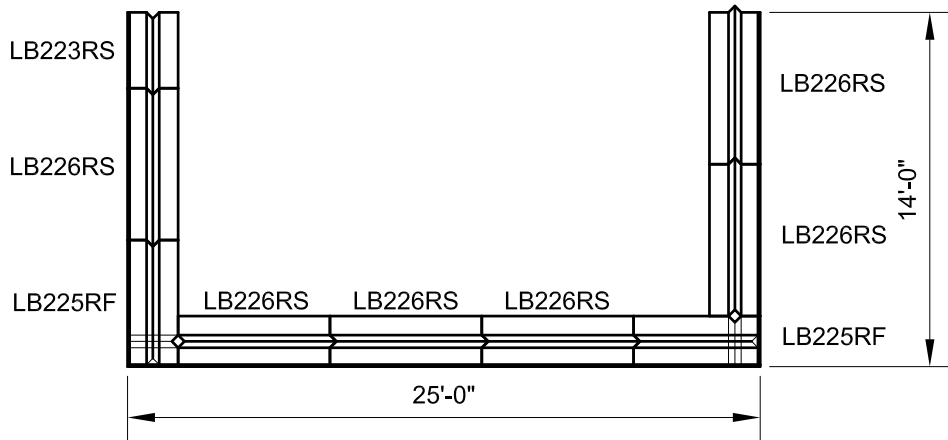
Precast Product Division | 373 Washington Street, Saratoga Springs, New York 12866

Phone: (518) 584-5891 | Fax (518) 584-2622 | www.dacollins.com

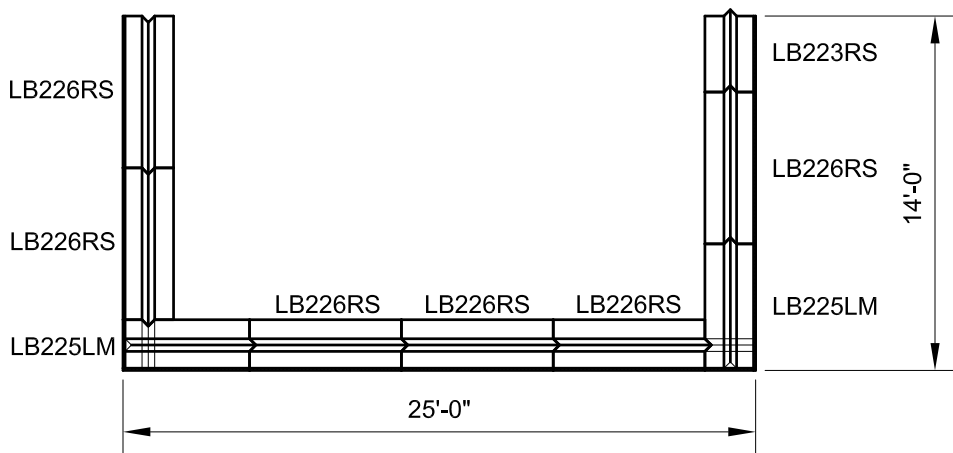
RANDOM STACK VERSATILE WALL BLOCKS



SAMPLE PLAN VIEW - BOTTOM COURSE



SAMPLE PLAN VIEW - SECOND COURSE



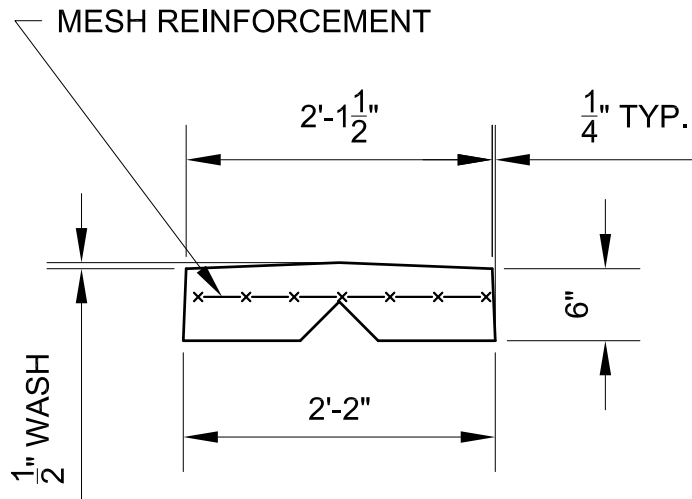
SAMPLE PLAN VIEW - THIRD COURSE

PALLETTE STONE CORP.

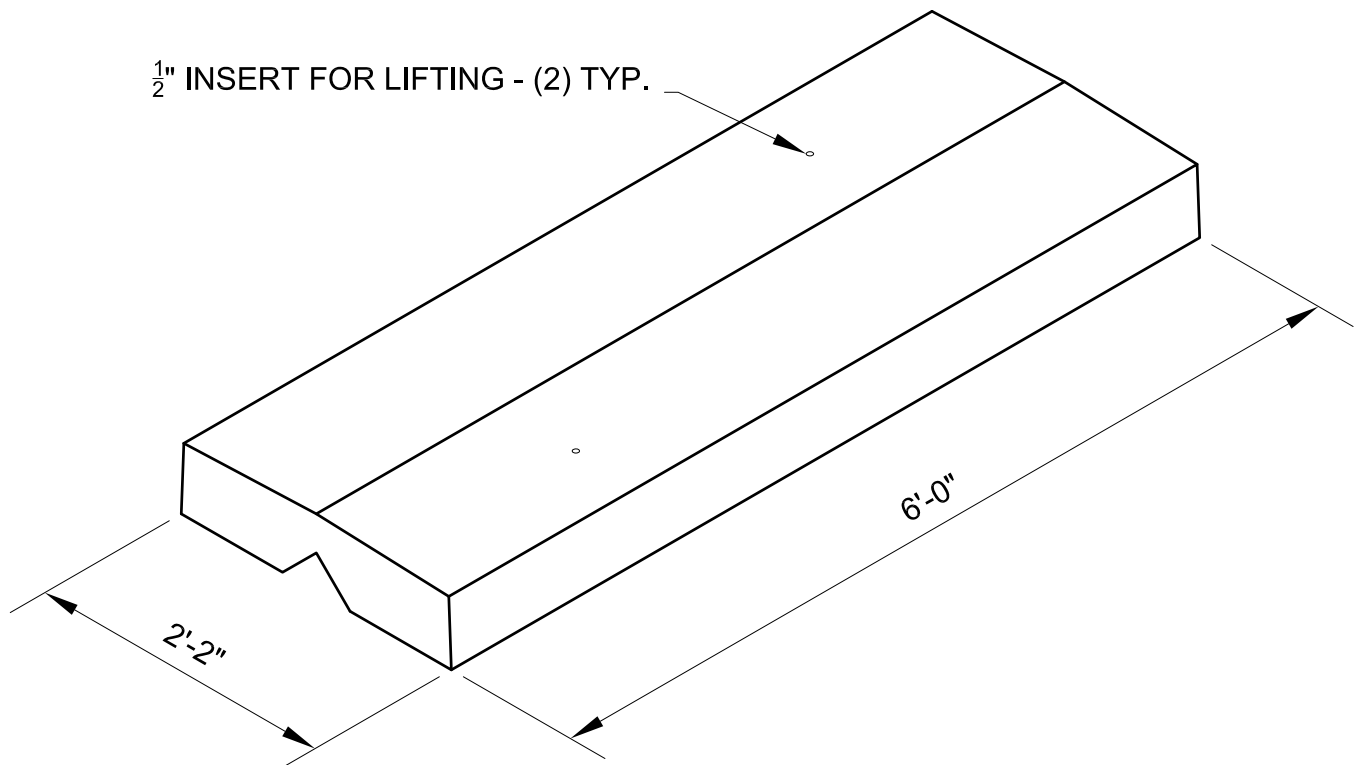
Precast Product Division | 373 Washington Street, Saratoga Springs, New York 12866

Phone: (518) 584-5891 | Fax (518) 584-2622 | www.dacollins.com

VERSATILE WALL BLOCK CAP



TYPICAL SECTION



ISOMETRIC VIEW - CAP